



GMP WASHERS, BIO WASTE DECONTAMINATION, CIP & OTHER HIGH PURITY PROCESS SKIDS

DELIVERED WITH INTEGRITY SINCE 1961





GMP WASHER PRESENTATION

DELIVERED WITH INTEGRITY SINCE 1961

TEAM

FAMILY OWNED SINCE 1961



STEVE AND DAVE OVERTON
OWNERS/DIRECTORS

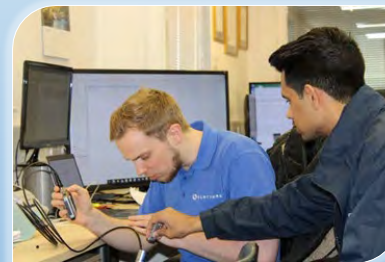
- EXPERIENCED
- SKILLED
- DEDICATED
- PROFESSIONAL
- HONEST



DESIGN



FABRICATE



TEST



COMMISSION

NEW FACILITY NEAR STANSTED AIRPORT



WE ARE PLEASED TO ANNOUNCE THAT ALL PROJECTS WILL BE CONSTRUCTED IN OUR NEW FACILITY FROM 2024

SUSTAINABILITY



ALL SUNCOMBE EQUIPMENT AND SYSTEMS HAVE BEEN DEVELOPED TO OPTIMISE THEIR SUSTAINABILITY AND TO INTEGRATE TECHNIQUES AND TECHNOLOGIES TO MINIMISE THEIR IMPACT ON THE ENVIRONMENT.

ENVIRONMENTAL PRESERVATION



WE ARE PLEASED TO CONTRIBUTE TO THE ENVIRONMENTAL
PRESERVATION OPERATIONS OF:

TREES FOR LIFE

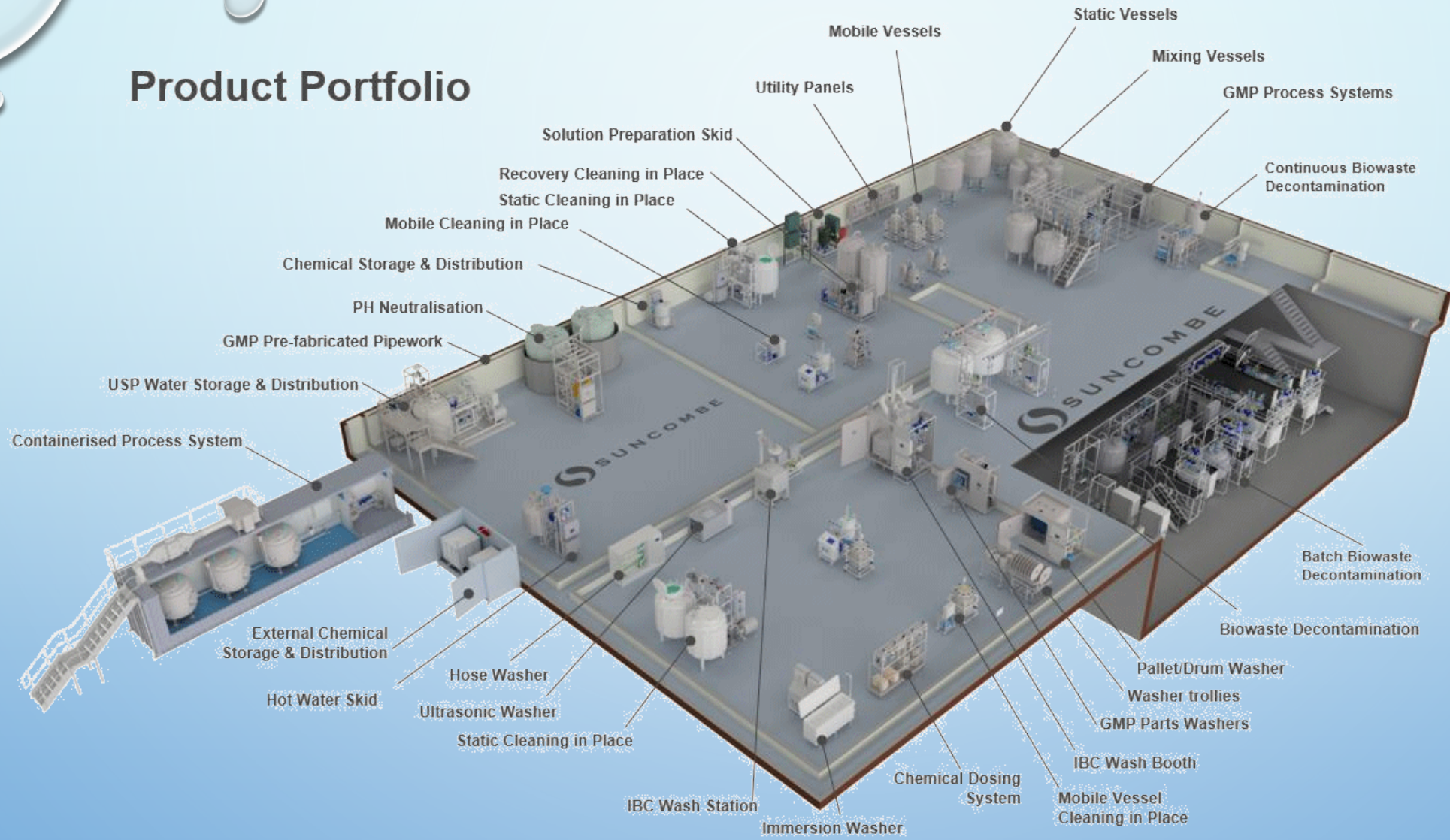
REGENERATING THE WILD FOREST AND PROVIDING SPACE FOR WILDLIFE
TO FLOURISH AND COMMUNITIES TO THRIVE

GLOBAL CLIENTELE



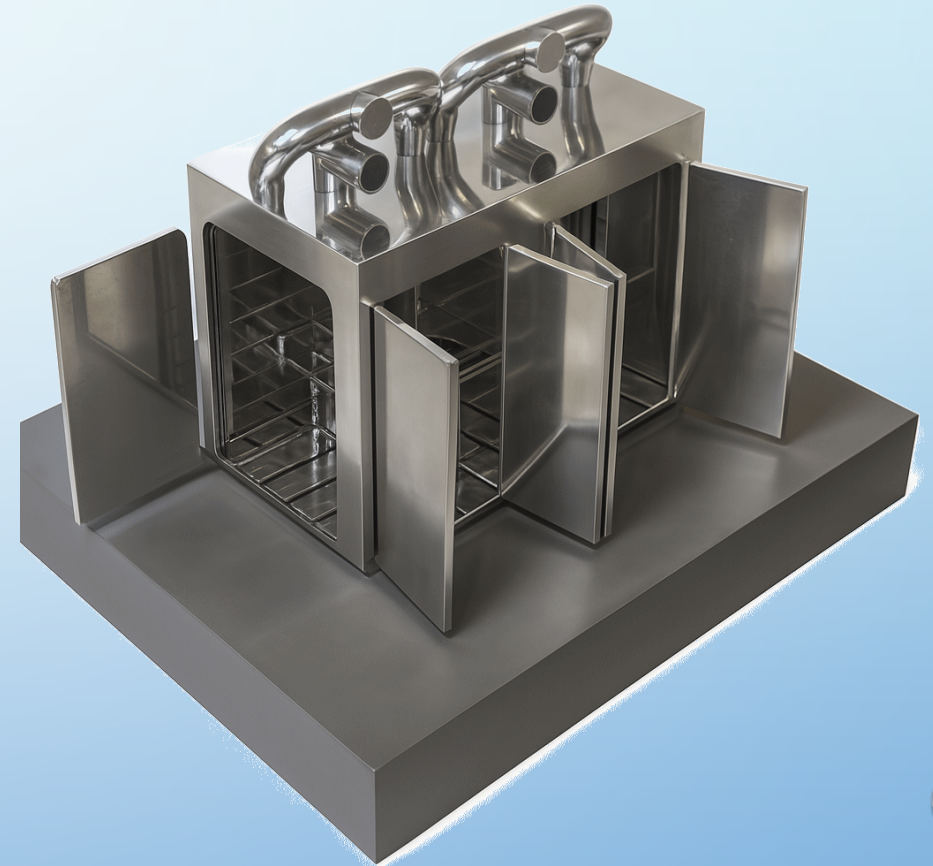
TRUSTED BY 17 OF THE TOP 20 BIOPHARMA COMPANIES WORLDWIDE

Product Portfolio



GMP Washer Overview

- VALIDATEABLE GMP WASHERS FOR BOTH SMALL AND LARGE-SCALE EQUIPMENT.
- AVAILABLE AS SINGLE-DOOR OR PASS-THROUGH, PIT-MOUNTED OR FLOOR-MOUNTED.
- FULL CONTAINMENT OPTIONS WITH INFLATABLE DOOR SEALS.
- STANDARDISED SYSTEMS, FULLY CUSTOMISABLE
- EVERY WASHER SPECIFICALLY BUILT TO COMPLY WITH CLIENTS URS AND REQUIREMENT
- FULL VALIDATION, AUDIT TRAIL, TRACEABILITY



GMP Washer Internals



Floor



Sample Point



GMP Construction



GMP Racks

GMP Washer Features



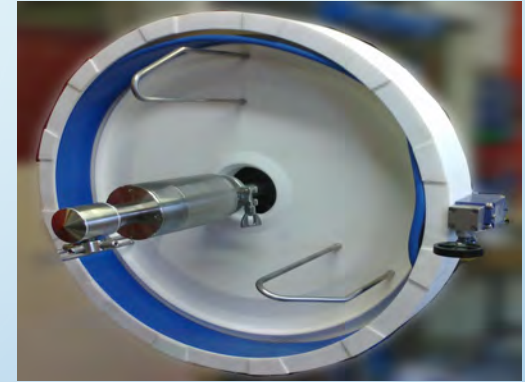
SBV Integration



Heavy Duty Hinges

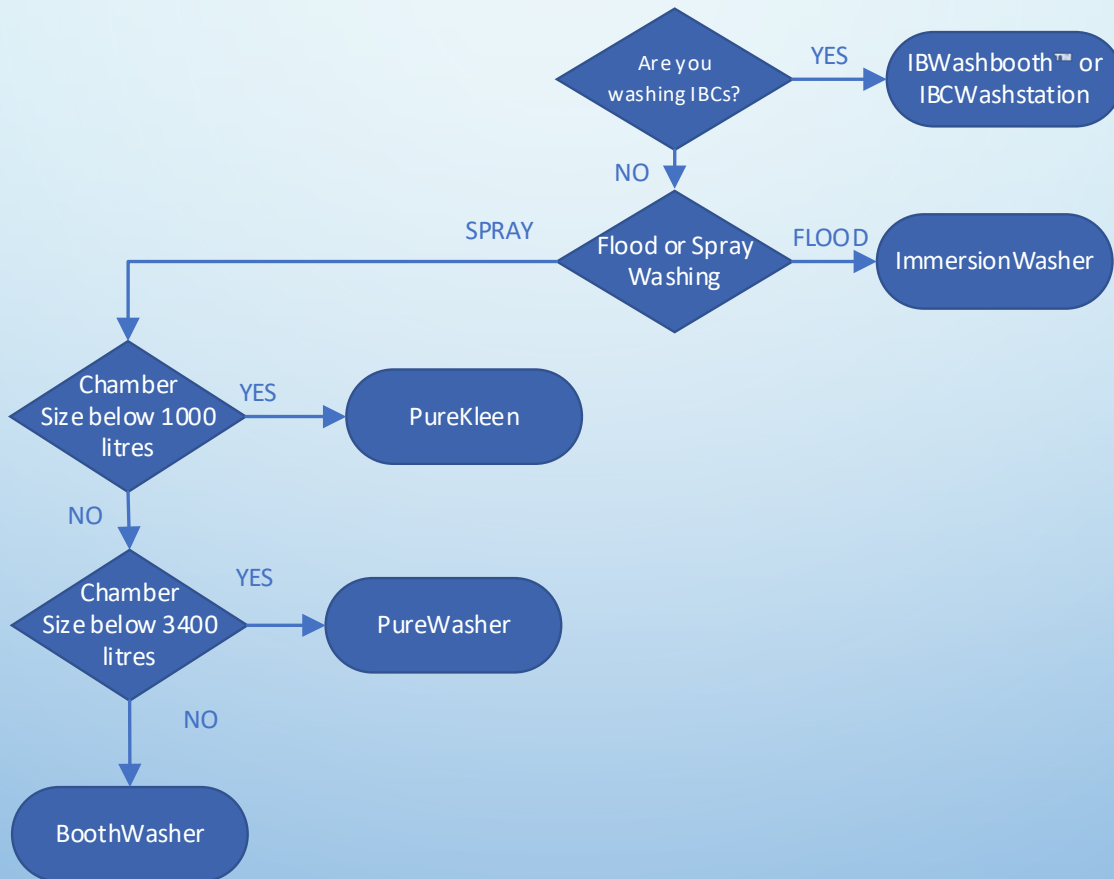


Inflatable Seals



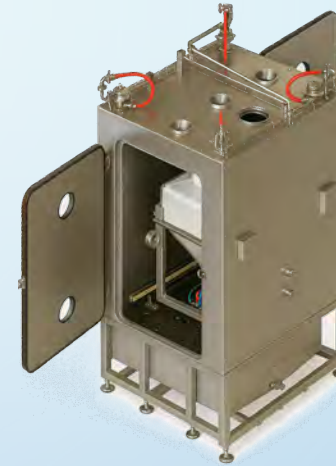
Custom Wash Lid

GMP Washers Selection Guide



Large GMP Washers

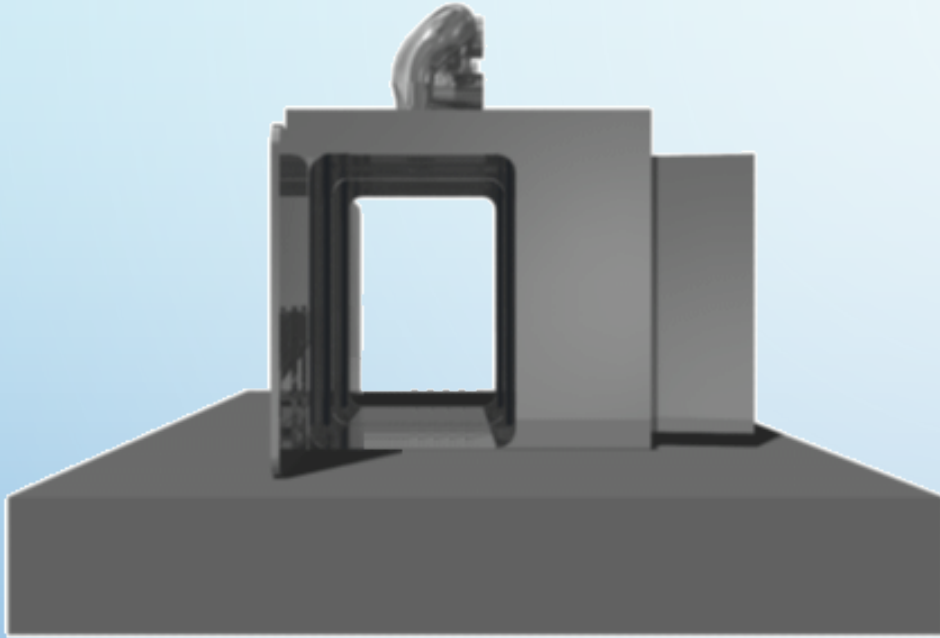
- **IBC WASHBOOTH:** DEDICATED IBC INTERNAL AND EXTERNAL WASHERS, SPLIT BUTTERFLY VALVE DOCKING, AGV CONVEYORISED SYSTEMS, PARTS TROLLEYS AND RACKS



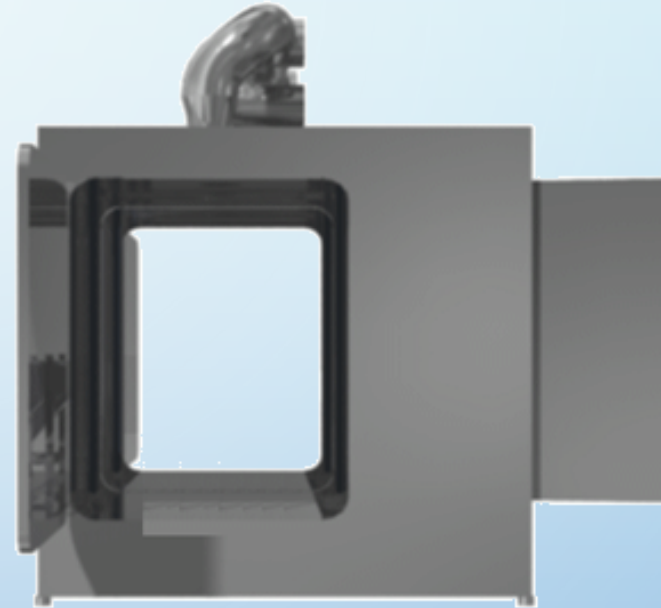
- **BOOTH WASHER:** WALK-IN WASHER FOR PARTS MOUNTED ON TROLLEYS



Large GMP Washer Loading



Pit Mounted



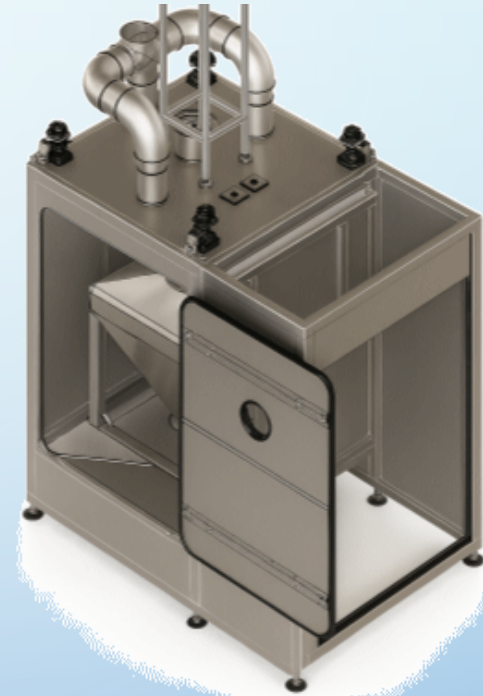
Floor Standing

Pit Mounted for Ground Level Loading
Floor Standing for Forklift Loading

Large GMP Washer Doors



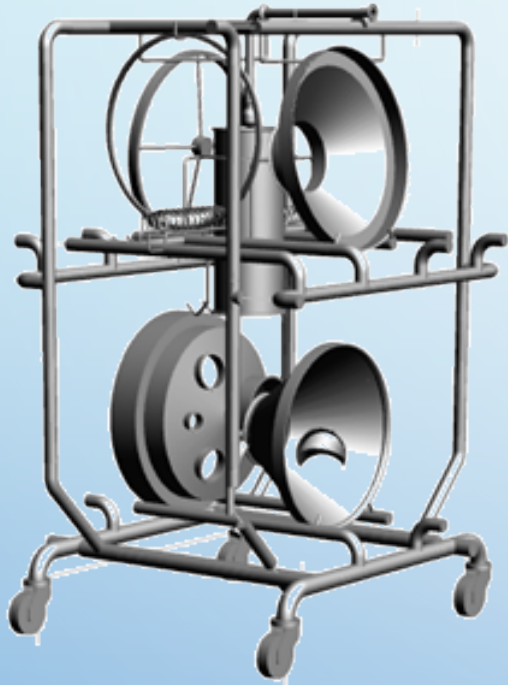
Hinged



Sliding

Vertical/Horizontal Sliding Doors or Hinged Doors
Inflatable Door Seals for full containment
Single Door or Two Door Pass-through Versions

Large GMP Washer Custom Trolleys



Custom designed trolleys to mount parts to guarantee cleaning coverage, drainability and repeatable positioning

Small GMP Washers

- **PUREKLEEN:** IDEAL FOR SMALL ITEMS AND ACCESSORIES.
- **PUREWASHER:** FOR LARGER PARTS AND CONTAINERS, HOSES, PALLETS, PARTS ON RACKS.
- **IMMERSIONWASHER/SONOKLEEN:** IMMERSION CLEANING SYSTEM.
- **IBC WASHSTATION:** DEDICATED IBC INTERNAL WASHERS, SPLIT BUTTERFLY VALVE AND CONE VALVE DOCKING



Small GMP Washer Doors



Hinged Door Version

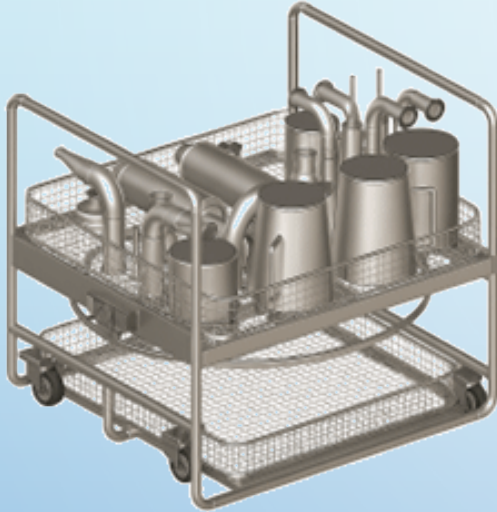


Sliding Door Version

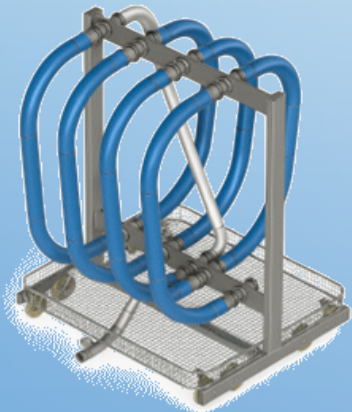
Vertical/Horizontal Sliding Doors or Hinged Doors
Inflatable Door Seals for full containment
Single Door or Two Door Pass-through Versions

Smaller GMP Washer Custom Racks

Custom designed racks to mount parts to guarantee cleaning coverage, drainability and repeatable positioning

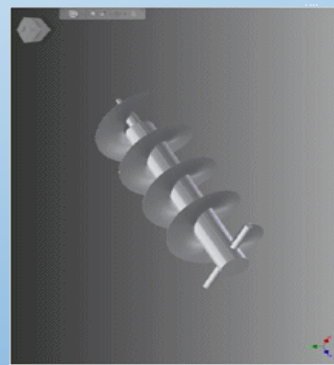
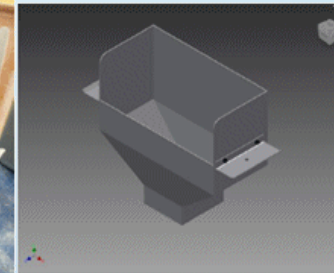
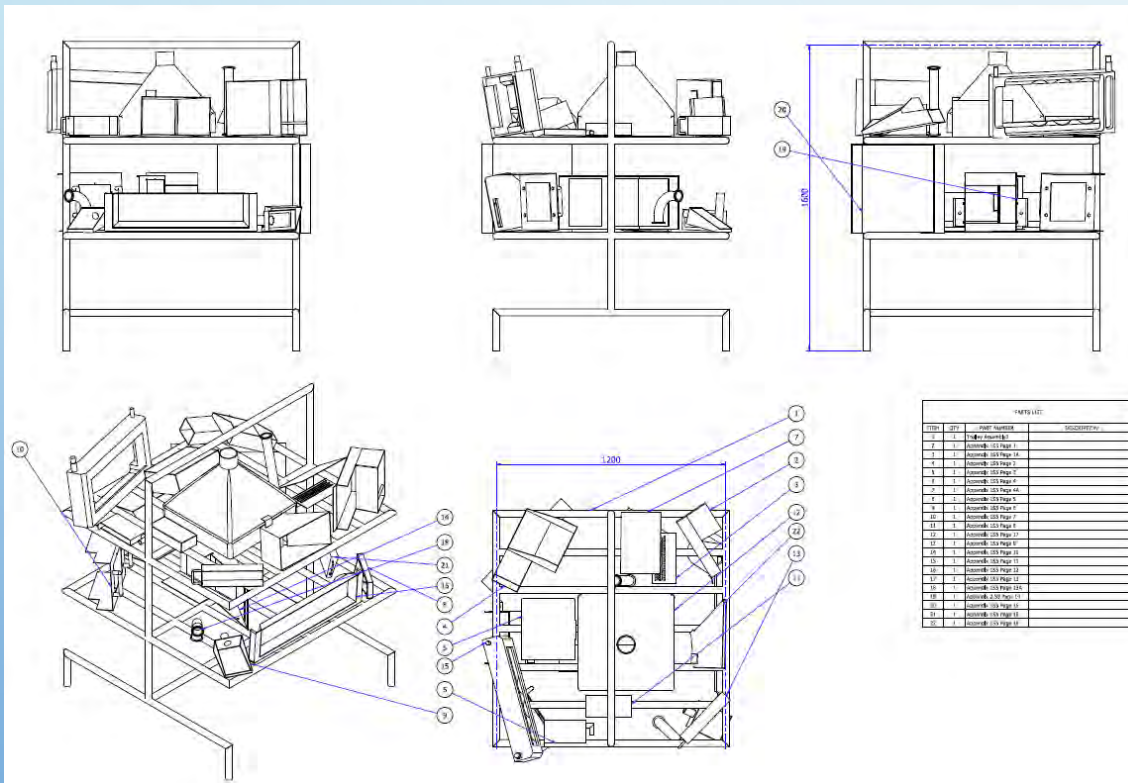


3D Spray modelling to simulate coverage



GMP Washer Custom Rack Designs

Custom designed rack layouts with 3D modelling for positioning and spray modelling to ensure 100% coverage



IBC WashStation

IBC Dedicated Internal Washing and Drying Only



Through Wall Configuration



Integral Configuration

Immersion Washer

Immersion, Turbulation and Spray Washing of Parts



Typical Layout



Bath Turbulation Washing

SonoKleen

Ultrasonic, Immersion, Turbulation and Spray Washing of Parts



Typical Layout



Before and After Images

GMP Washer Customised Solutions

All washers are custom designed to suit client's requirements, space available and preferences. Recent clients have required:

- IBCWashBooth to wash 2 IBCs simultaneously
- AGV system to automatically move IBCs through washer
- Separate Drying Units to speed up cycles
- Extra High version for tall employee
- Right angled doors due to site space limitations
- Shorter headroom for low height limitation
- Washer split into separate parts for ingress onto site
- Special floor, wall and ceiling fixings for building integration

Support Equipment

Chemical Handling and Waste Handling Systems



Chemical Handling

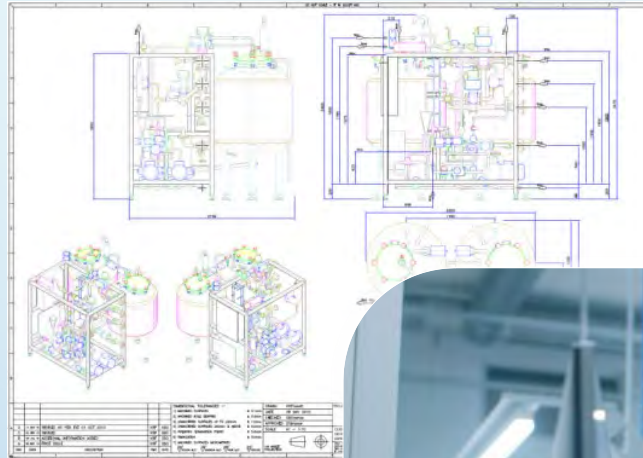
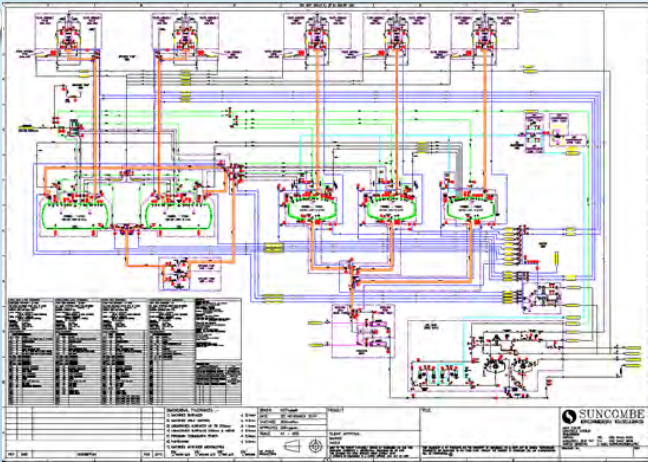


Waste Handling

cGMP MANUFACTURING INTERNATIONAL STANDARDS



DESIGN – 2D



- GENERAL ARRANGEMENTS
- PROCESS FLOW DIAGRAMS
- P&I DIAGRAMS
- SCHEMATICS
- CIRCUIT DIAGRAMS



DESIGN – 3D MODELLING



- VISUALISATION
- LAYOUT OPTIMISATION
- CONFIGURATION PLANNING

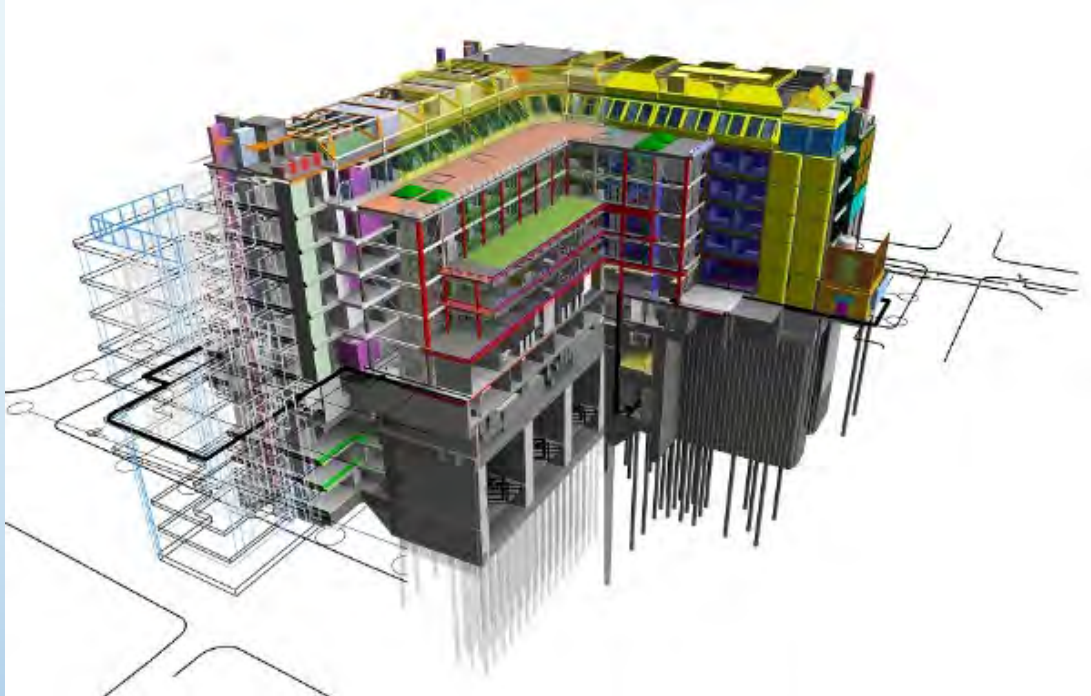
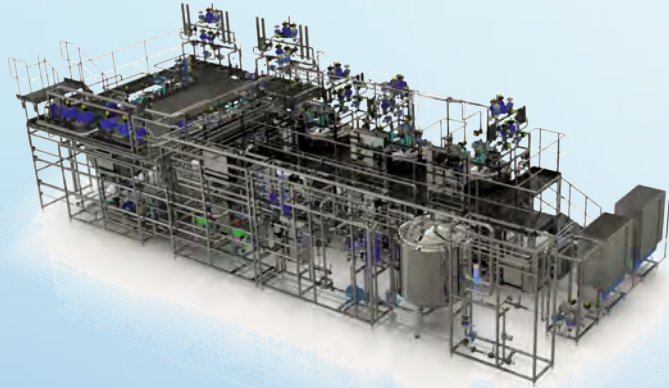


 **SOLIDWORKS**



INVENTOR

DESIGN – INTEGRATION



- MODELLING INTERFACES
- AUTODESK REVIT AND EQUIVALENTS
- CONSTRUCTION CLOUD
- BUILDING INFORMATION MODELLING (BIM)



INVENTOR

HYGIENIC DESIGN & CONSTRUCTION



CERTIFICATION



- ✓ CE MARK
- ✓ PRESSURE EQUIPMENT DIRECTIVE (PED) (2014 / 68 / EU)



- ✓ EN 13445



- ✓ PD 5500:2018



...AND MORE

- ✓ ASME VIII

- ✓ ASTM A-269

- ✓ 3A DAIRY

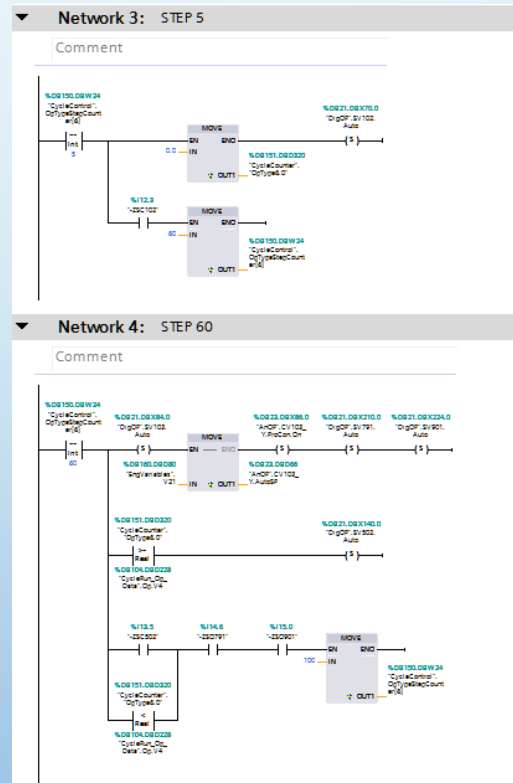
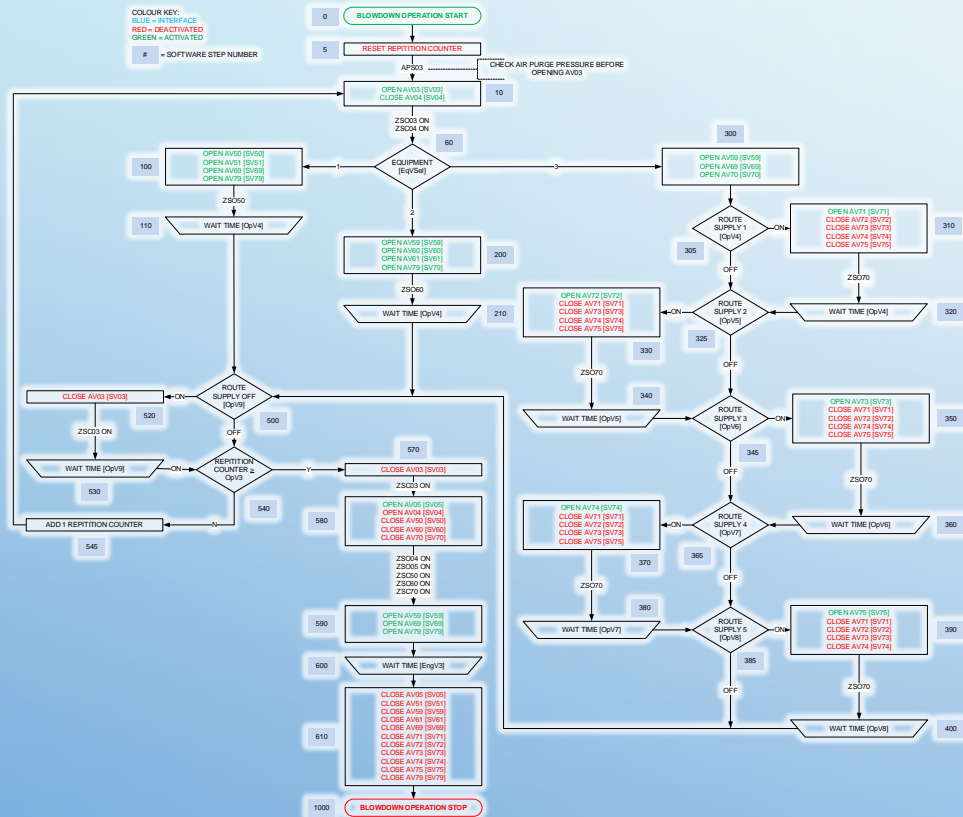
RISK ASSESSMENT



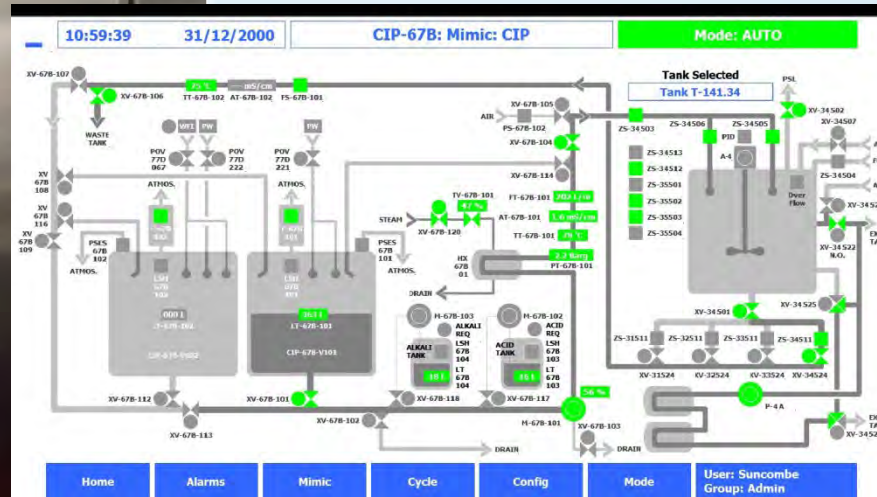
		Impact →				
		Negligible	Minor	Moderate	Significant	Severe
Likelihood ↑	Very Likely	Low Med	Medium	Med Hi	High	High
	Likely	Low	Low Med	Medium	Med Hi	High
	Possible	Low	Low Med	Medium	Med Hi	Med Hi
	Unlikely	Low	Low Med	Low Med	Medium	Med Hi
	Very Unlikely	Low	Low	Low Med	Medium	Medium

- FAULT AND FAILURE ANALYSIS
- HAZID (HAZARD IDENTIFICATION STUDY)
- HAZOP (HAZARD AND OPERABILITY STUDY)
- LOPA (LAYERS OF PROTECTION ANALYSIS)
- SIL (SAFETY INTEGRITY LEVEL)

AUTOMATION DESIGN



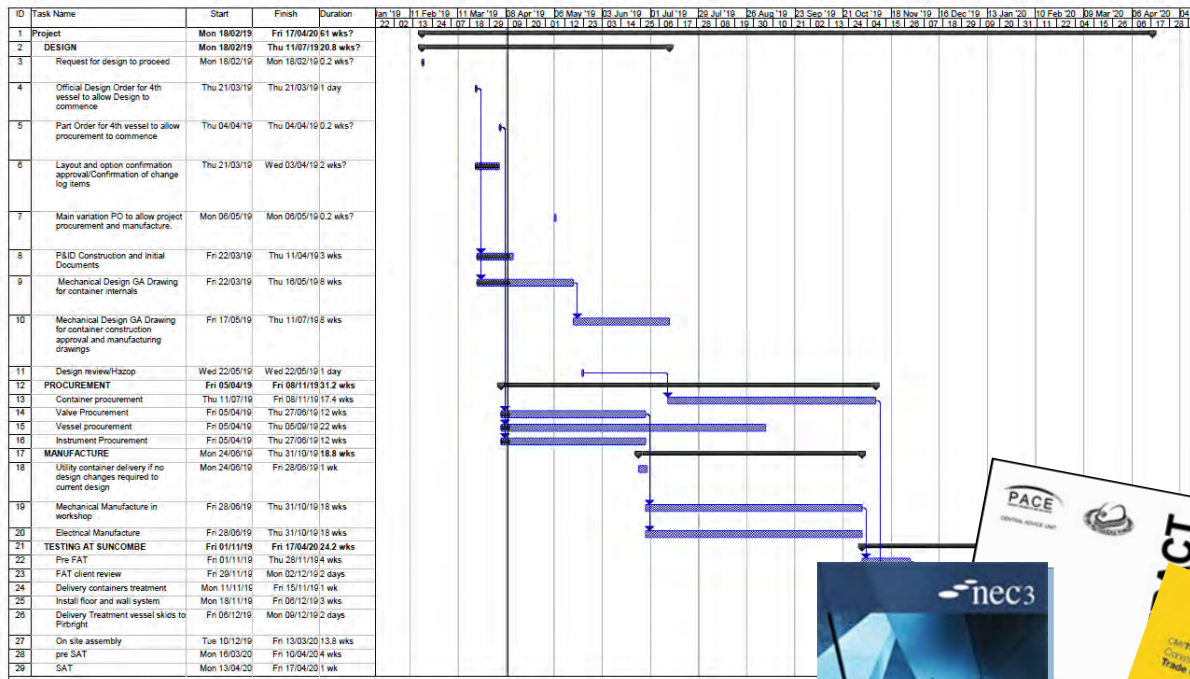
AUTOMATION BUILD



- LARGE HMI
- ROBUST
- INTUITIVE VISUALISATION
- 21CFR COMPLIANT
- REMOTE ACCESS CONTROL
- IPAD, IPHONE, ANDROID VIEWERS



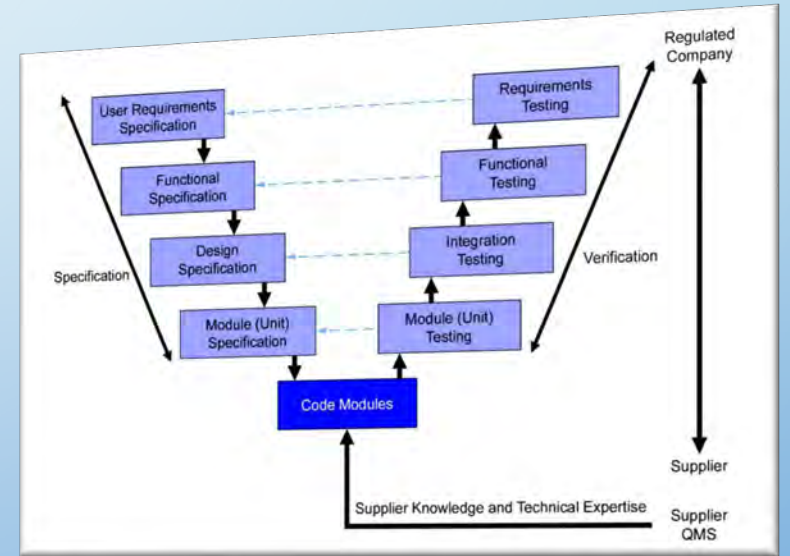
PROJECT & QUALITY MANAGEMENT



- QUALITY SYSTEMS
- PROGRAM CONTROL
- DOCUMENTATION CONTROL
- VALIDATION & COMPLIANCE
- CONTRACT MANAGEMENT



VALIDATION



TESTING & TRAINING



- ✓ FACTORY ACCEPTANCE
- ✓ SITE ACCEPTANCE
- ✓ INSTALLATION QUALIFICATION
- ✓ OPERATION QUALIFICATION
- ✓ OPERATOR, ENGINEER & SERVICE TRAINING



DOCUMENTATION

- ✓ MECHANICAL, ELECTRICAL, PROCESS DESIGN DRAWINGS
- ✓ FUNCTIONAL, HARDWARE, SOFTWARE SPECIFICATIONS
- ✓ FACTORY & SITE ACCEPTANCE PROTOCOLS AND REPORTS
- ✓ CERTIFICATION AND CALIBRATION
- ✓ OPERATION & MAINTENANCE MANUALS
- ✓ ...AND MORE





OUTSTANDING CLIENT SATISFACTION

AUTOMATION & VALIDATION

ATTENTION TO DETAIL

APPLICATION & PROCESS KNOW-HOW

EXPERTISE & EXPERIENCE

SUNCOMBE

www.suncombe.com